



Apollo®Infinity® 4

Dual Induction Dry Media Abrasive Blasting Cabinet, For Industrial Use

THE WORLDS MOST EFFICIENT ABRASIVE BLASTING SYSTEM



Main Features:

- Blasting pressure: 05-100Psi
- 24/7 production
- Abrasive metering valve
- Front loading door for ease of access
- Built-in cyclone dust extractor
- Adjustable blasting pressure
- Safe & easy-to-use controls
- Fully Customizable
- Maintenance free hopper
- Apollo Dual induction technology
- More cleaning action and less surface damage to substrates

Apollo Dual Induction Blast Cabinets VS Old Suction/Pressure Pot Type Blast Cabinets:

Both Suction & pressure blast cabinets have long been the industry standard for media blasting cabinets, both have limitations of use, and limited production capabilities, as a solution to this issue, Apollo have now launched their range of dual induction blasting cabinets.(global patent pending).

Suction Blast: 50% performance of pressure blast - slow cleaning speeds.

Pressure Blast: good cleaning speeds but requires frequent breaks to refill the hopper with abrasive media – causing downtime, also prone to moisture contamination (blockages), requires pressure vessel regulations and inspection.

Dual Induction: Pressure blast performance, suction blast simplicity, 24/7 productivity, zero downtime and virtually maintenance free!



Global Patent Pending, Patent Application # PCT/EP2020/058157

APOLLO SYSTEMS | www.apolloblasting.com

sales@apolloblasting.com



Infinity®4 Technical Specifications

Machine Specifications:

- Dry Weight: 112kg
- Blast chamber capacity: 1000Litres
- Maintenance free hopper
- No pressure vessel regulations
- No moisture issue accumulation
- Air flow required: 30-150cfm
- Blast Pressure: Adjustable 05-100Psi

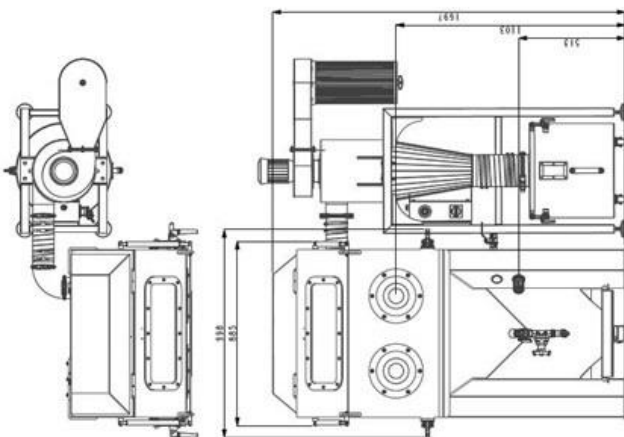
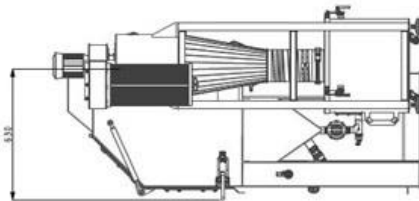
Standard Specifications:

- High-flow regulator
- Cyclone dust extractor
- Manual abrasive metering valve
- Air wash nozzle
- 230v 13amp supply (optional 110v)
- Standard 6mm blast nozzle
- Optional: 3/4/5mm nozzle sizes
- Rotary turntable

Optional Extras:

- Full ATEX rated machine
- Automatic/rotary/barrel type system
- Optional side loading doors
- Stainless steel housing

All Apollo® systems come with a 2-year parts & labor warranty.



APOLLO
BLASTING EQUIPMENT

AUTHORIZED APOLLO DEALER STAMP

Global Patent Pending, Patent Application # PCT/EP2020/058157

APOLLO SYSTEMS | www.apolloblasting.com

sales@apolloblasting.com